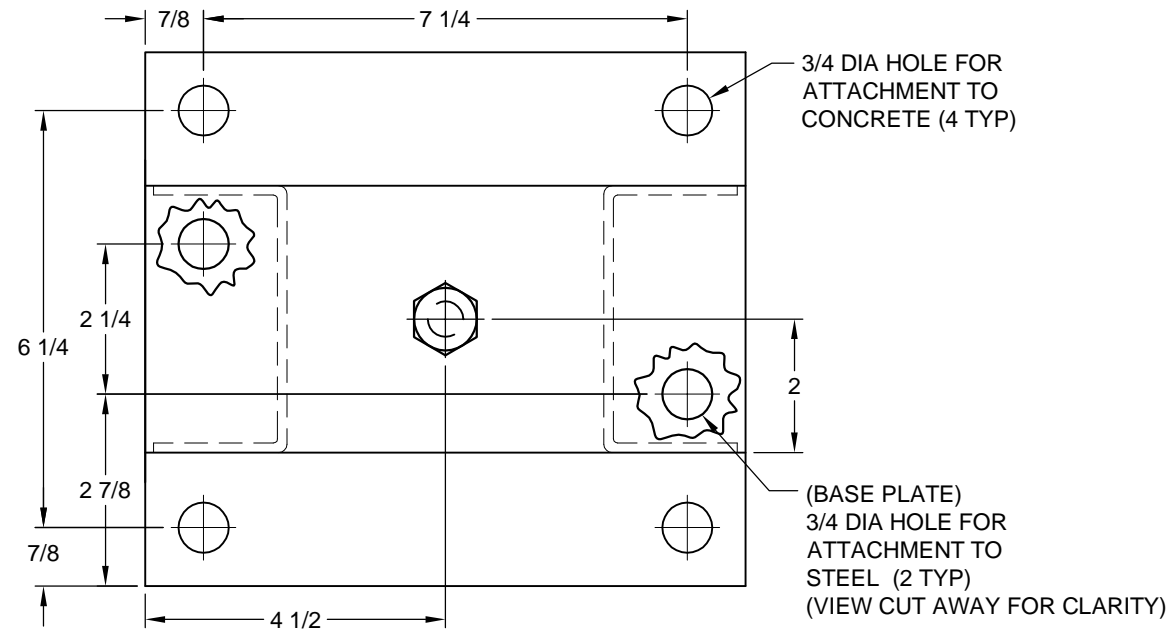


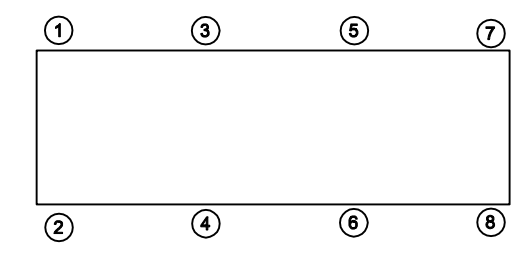
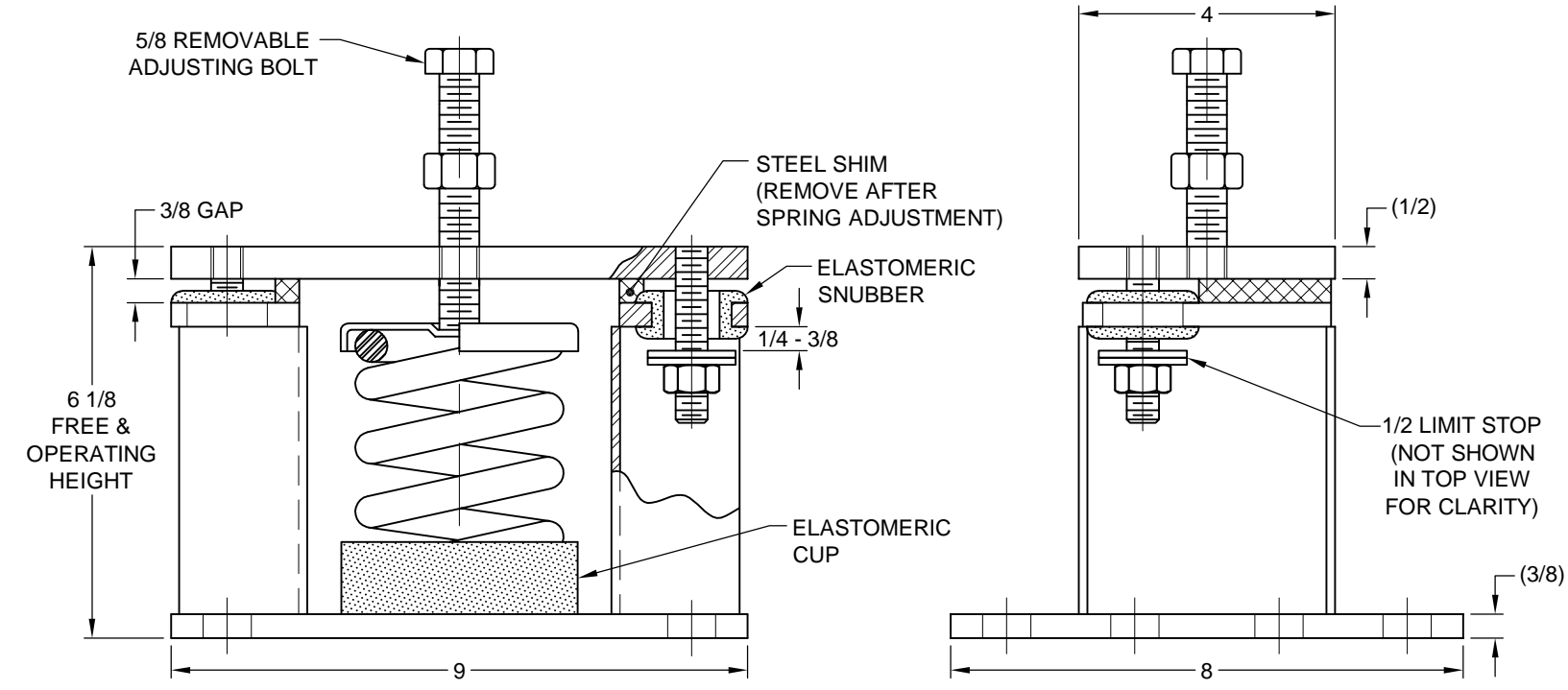
Ahmed Haider of Panache Engineering

REV.	DESCRIPTION	DATE	BY
------	-------------	------	----



OSHPD OPA #

MODEL MSS-1E SEISMICALLY RESTRAINED VIBRATION ISOLATOR FOR					
SEISMIC MOUNT SIZE	RATED LOAD (LBS)	RATED DEFLECTION (IN)	SPRING RATE (LBS/IN)	SOLID LOAD (LBS)	COLOR CODE
MSS-1E-400	400	1.32	303	630	BLACK
MSS-1E-530N	530	1.17	453	795	BLACK/DK BLUE
MSS-1E-650	650	1.05	619	1380	RED
MSS-1E-825N	825	1.07	769	1349	RED/DK BLUE
MSS-1E-1000	1000	1.00	1000	1630	TAN
MSS-1E-1200N	1200	1.04	1150	1875	TAN/DK BLUE
MSS-1E-1400	1400	1.00	1400	2578	PINK
MSS-1E-1700N	1700	1.10	1550	2719	PINK/DK BLUE
MSS-1E-2000	2000	1.11	1800	3010	WHITE
MSS-1E-2330N	2373	1.11	2100	3511	WHITE/RED
MSS-1E-2575N	2575	1.11	2313	3867	WHITE/DK PURPLE
MSS-1E-2990N	2990	1.11	2682	4484	WHITE/DK GREEN
MSS-1E-3250N	3250	1.04	3125	4875	WHITE/GRAY



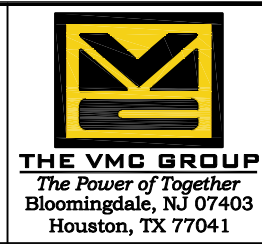
- NOTES:
1. ALL DIMENSIONS ARE IN INCHES, INTERPRET PER ANSI Y14.
 2. STANDARD FINISH: HOUSING - POWDER COAT OR PAINT (COLOR:BLACK), SPRING - POWDER COAT (COLOR: SEE TABLE), HARDWARE ZINC-ELECTROPLATE.
 3. EQUIPMENT MUST BE BOLTED OR WELDED TO THE TOP PLATE TO MEET ALLOWABLE SEISMIC RATINGS.
 4. ISOLATOR BASE PLATE MUST BE ANCHORED TO STEEL EITHER BY WELDING OR WITH MIN (4) 5/8 DIA A325 BOLTS, OR IT MUST BE ANCHORED TO CONCRETE WITH (4) 3/4 DIA HILTI "KWIK-BOLT TZ" WEDGE ANCHORS OR AS DIRECTED BY THE VMC GROUP.
 5. ALL SPRINGS ARE DESIGNED FOR 50% OVERLOAD CAPACITY.
 6. REFER TO FOLLOWING SHEET FOR INSTALLATION INSTRUCTIONS.

ISOLATOR SELECTIONS	
LOC 1:	LOC 2:
LOC 3:	LOC 4:
LOC 5:	LOC 6:
LOC 7:	LOC 8:
CUSTOMER EQPT. TAG:	

NOTE: MATERIAL SHOWN IS FOR (1) SET.

OTHER MATERIALS, COMPOUNDS, OR FINISHES WITH EQUAL OR SUPERIOR PROPERTIES MAY BE SUBSTITUTED AS THEY BECOME AVAILABLE.

MODEL MSS-1E VIBRATION ISOLATOR WITH INTEGRAL SEISMIC RESTRAINT AND EXTERNAL ADJUSTMENT FOR 1" DEFLECTION



SCALE:	NONE	Member VISCMA
SHEET:	48 OF 91	
DRAWING NO.:	OPA-0553	REVISION: